

Part number

MAP 24 CP240



Brief description:

surface mounting housings with 4 pegs, size "104.27", plastic cover, M40 x 2, metal version, IP65

Product description

Version	metal version
Series	Surface housings, with 4 pegs
Product type	with 4 pegs and gasket
Variant	plastic cover
Style	high construction
Family	CLASS enclosures
Size	size "104.27"

Technical data

Operating temperature range (min, max)	-40°C ... +125°C
Material	metal
IP degree of protection	IP65
Cable entry	M40 x 2

Further technical details

Weight	411,00 g
---------------	----------

Approvals / Standards

Conformity	CQC, CE
-------------------	---------

General ordering information

EAN13 code	8015747051712
Tariff number	85369095

Packaging Information

Packaging length	475,00 mm
Packaging height	220,00 mm
Packaging width	200,00 mm
Packaging weight	4,11 kg
Packaging volume	20,90 dm ³
Packaging description	Carton box
Packaging quantity	10 Pcs
Packaging EAN code	8015747244954
Sub-packaging weight	2,06 kg
Sub-packaging description	Plastic packaging
Sub-packaging quantity	5 Pcs
Sub-packaging EAN barcode	8015747051729

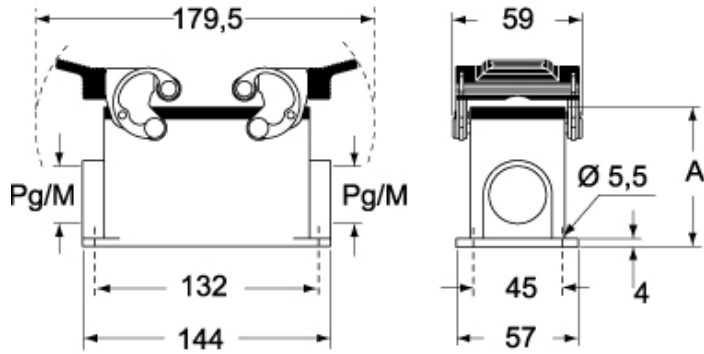
Part number

MAP 24 CP240

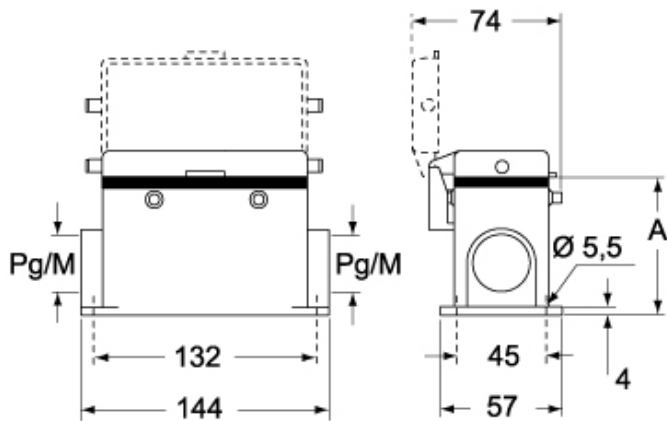


Catalogue drawings

CHP CAP - MHP MAP



CHP CS/CP CAP CS/CP - MHP CS/CP MAP CS/CP



	A
CHP / MHP	63
CAP / MAP	80
CHP CS / MHP CS	63
CAP CS / MAP CS	80
CHP CP / MHP CP	63
CAP CP / MAP CP	80